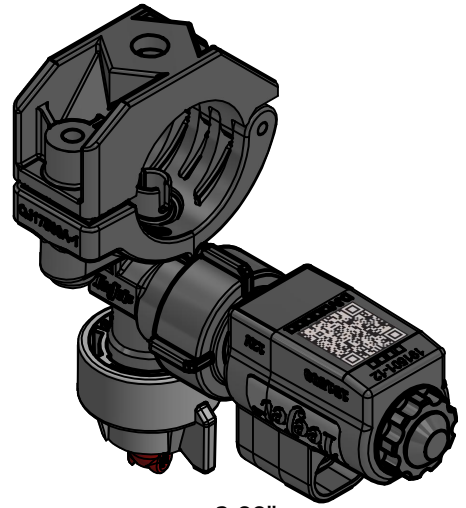


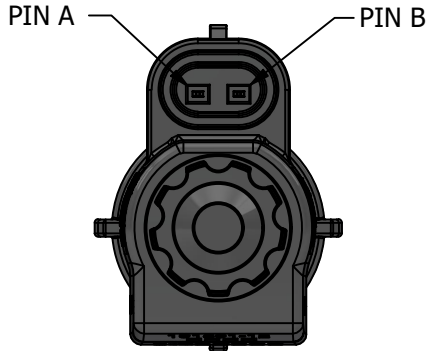
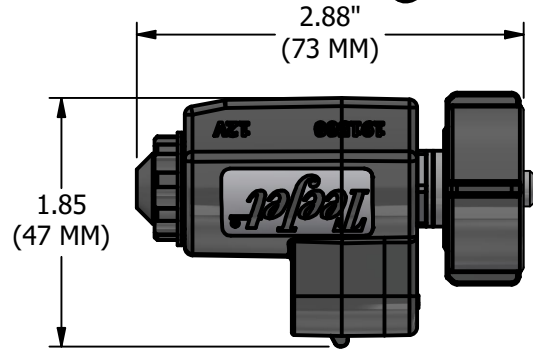
FEATURES

- ELECTRIC SOLENOID SHUT-OFF VALVE
- VALVE IS NORMALLY CLOSED FOR SAFETY
- MAXIMUM 100 PSI (7 BAR) SPRAYING PRESSURE AT MINIMUM VOLTAGE (12V) 0.6 GPM (2.27 LPM) AT 5 PSI (0.34 BAR) PRESSURE DROP
- 0.8 GPM (3.18 LPM) AT 10 PSI (0.69 BAR) PRESSURE DROP
- ALL WETTABLE PARTS ARE STAINLESS STEEL OR FKM EQUIVALENT
- CURRENT DRAW OF 0.9 AMPS (10 WATTS) AT 12 VOLTS
- VOLTAGE ENERGIZES THE SOLENOID COIL TO OPEN THE VALVE
- REMOVAL OF POWER ALLOWS A SPRING TO CLOSE THE VALVE
- REQUIRES 98552-2 CABLE W/2-PIN FEMALE SUPERSEAL 1.5 CONNECTOR



WIRING CHART

PIN TERMINAL	WIRING
1	(+) POSITIVE
2	(-) NEGATIVE
NOTE: (+) & (-) TEMRINALS CAN BE INTERCHANGED.	



NOTE: IT IS RECOMMENDED TO INCLUDE A LINE STRAINER OF 80 MESH OR FINER WITH ALL e-CHEMSAVER® APPLICATIONS

TEEJET NOZZLE BODY	e-CHEMSAVER P/N
QJ8360, QJT8360, 8360	191500-1-12
QJ17560A	191500-1-12
QJP19011	191500-1-12
QJ200 SERIES	191500-1-12
QJ300 SERIES	191500-1-12
QJ39685	191500-1-12
13431	191500-1-12
24216A, QJ24216B, 24230A, 24231A	191500-1-12
PUSH-TO-CONNECT SERIES	191500-1-12
QJ360C, QJ360F	191500-2-12
QJ370, QJ370D	191500-2-12
QJ22187	191500-2-12
QJ8355, 8355	191500-2-12
QJS SERIES	191500-4-12

HOW TO ORDER:

191500-12-

TYPE (SEE APPLICATION CHART) →

VOLTAGE →

CABLE LENGTH CODE →

BLANK = NO CABLE
 05 = 0.5 METER (20")
 98552-2-__: CABLE (SEE DS98552)
 CP116231-NYB: MAINTENANCE TOOL (DS116231)

DESCRIPTION:

191500-12 e-CHEMSAVER
 DYANJET® VALVE



REVISION NO.	1	Parts List No.	
REFERENCE:	04/25/24	DS191500-12	
SHEET:	1 OF 1	DWG SIZE:	A